

PROCESSOR
252 SHEET 4
DSP AUDIO

RECEIVER
246 GND RX-ANT SHEET 3

SYNTH-VCO
2922 GND
VCO sheet 6

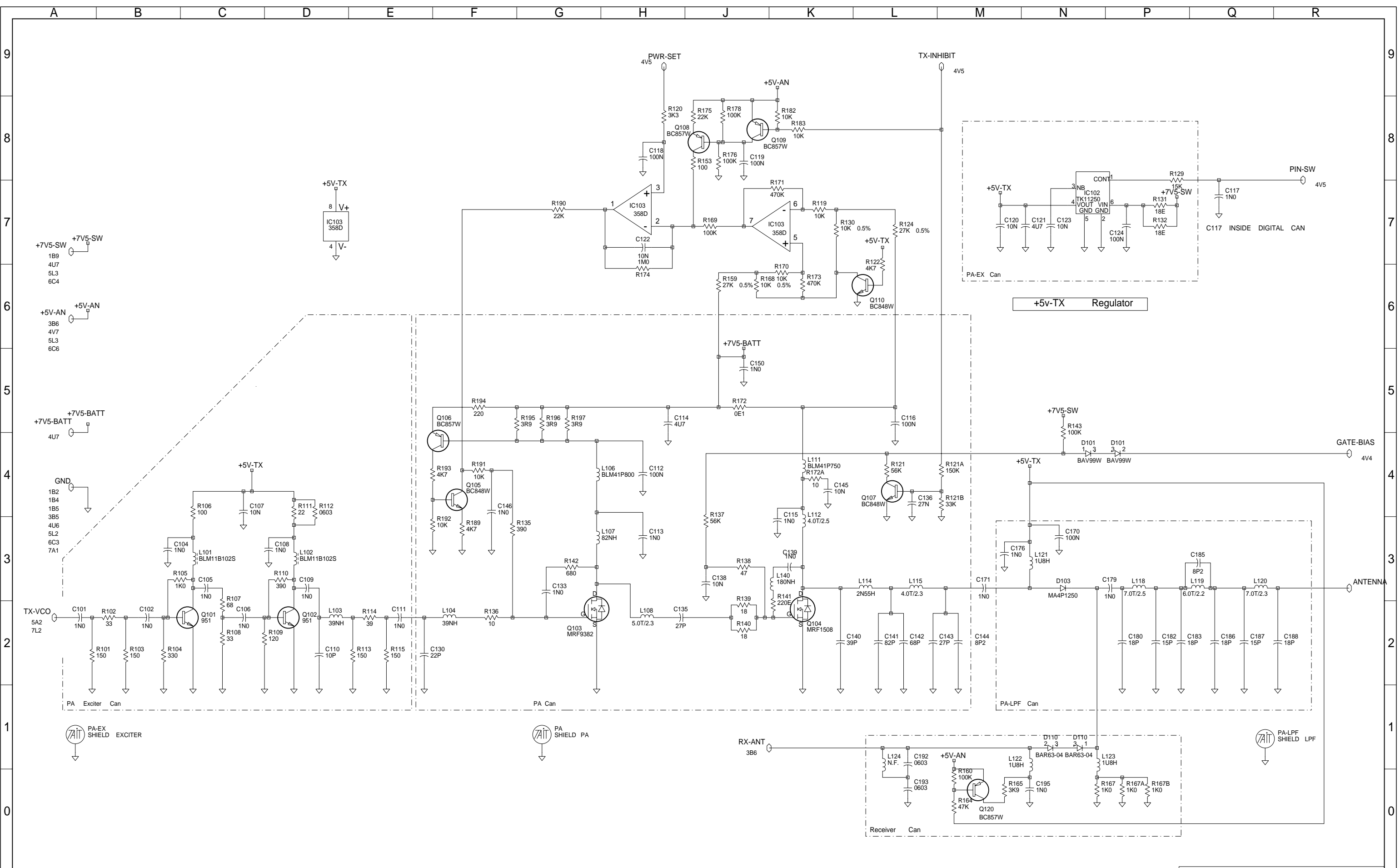
POWER-AMP
93 GND RX-ANT SHEET 2

03D	CCO NO. 1588-011 DIG CAN ATL:2	BRD		2/2/2K
03C	D103 > MV4P1250. ECO 50-0411	TS		29-10-99
03B	4 SPR.PINS TO SMD. SEALS NONSMD CCO No.1588-007	TS		06/10/99
02B	PARTS ADDED TO SAVE POWER	BRD		11/06/99
02B	GEN-NEW PASTE SCREEN FOR DEK	BRD		02/06/99
02A	MINOR MOD TO CCT AND VALUES	SPICJK		25/05/99
01A	NEW PA LINEUP	BCS/CJK		12/02/99
REV/ISS	AMENDMENTS	DRAWN	CHKD	D.O. APVD DATE



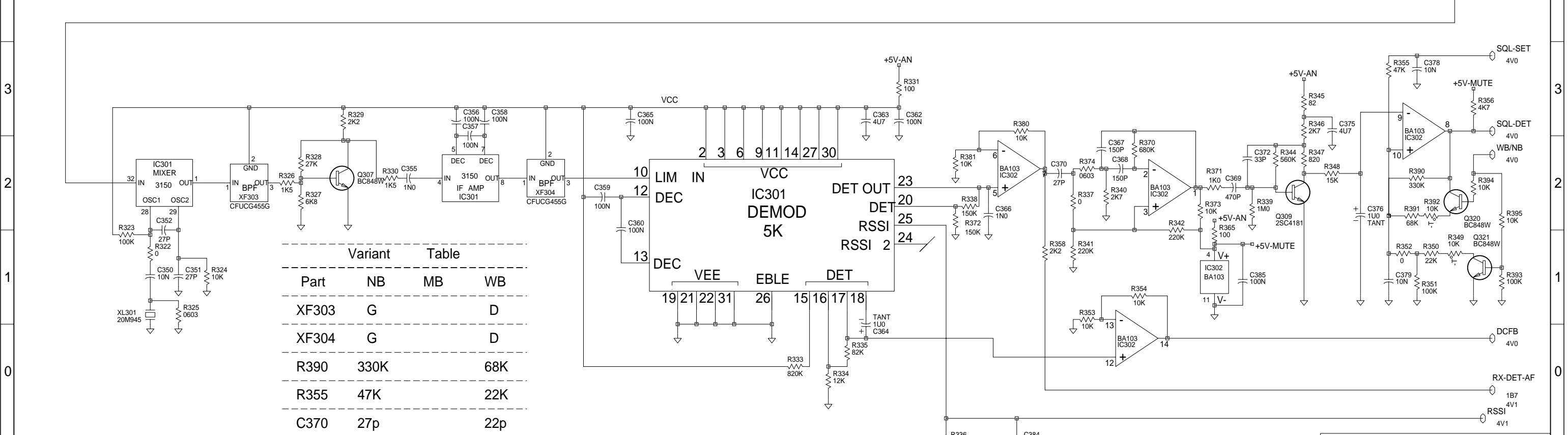
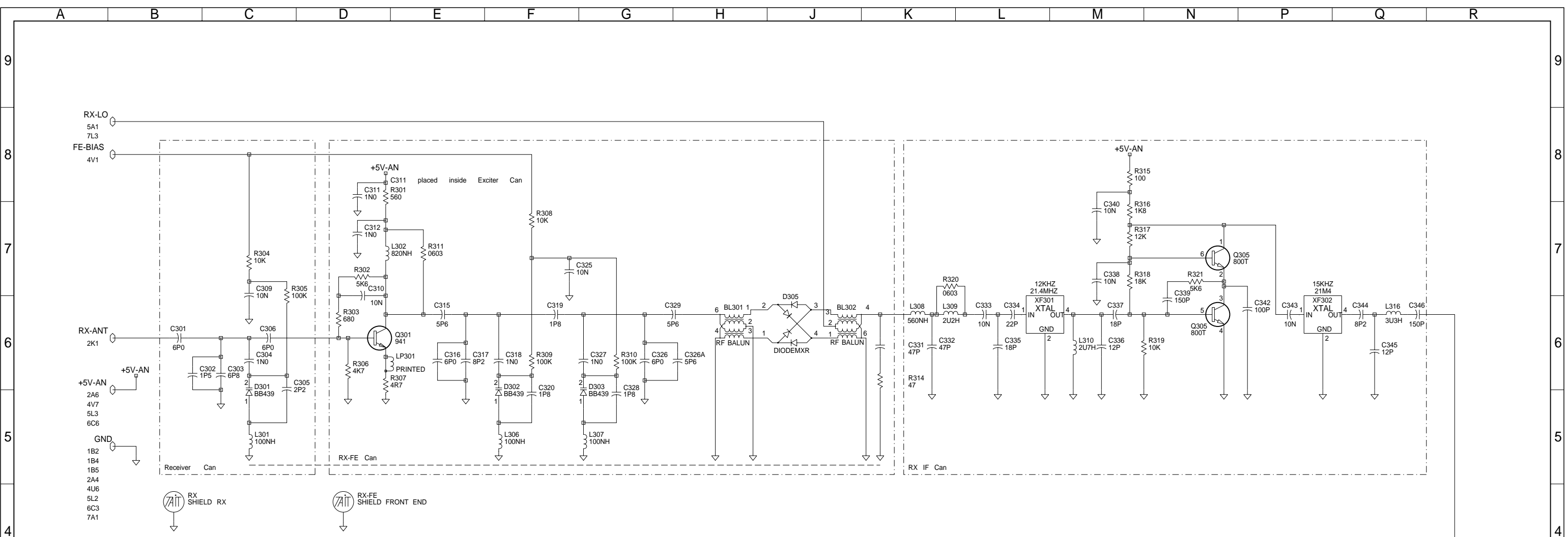
VHF
Tait Orca

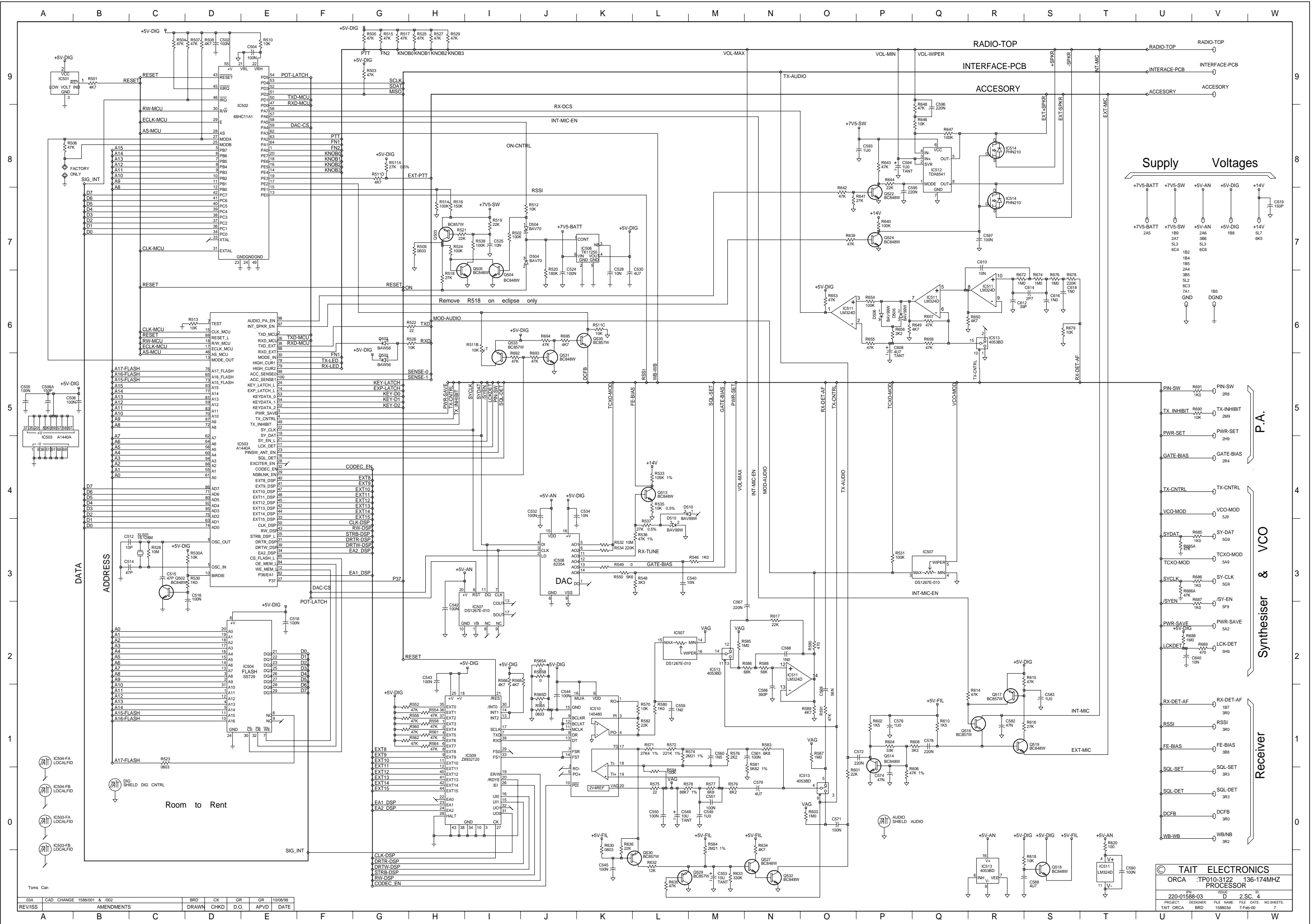
© TAIT ELECTRONICS			
ORCA :TP010-3122		136-174MHZ	
SYSTEM DIAGRAM			
IPN: 220-01588-03	ISSUE: D	ID: 2.S.C. 1	
PROJECT: TAIT ORCA	DESIGNER: BRD	FILE NAME: 158803d	FILE DATE: 7-Feb-00
		NO.SHEETS: 7	



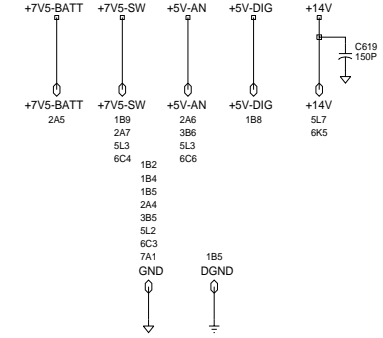
01A	NEW PA LINEUP (BC-S)	CJK				12/02/99
REV/ISS	AMENDMENTS	DRAWN	CHKD	D.O.	APVD	DATE

© TAIT ELECTRONICS
 ORCA :TP010-3122 136-174MHZ
 POWER AMPLIFIER
 IPN: 220-01588-03 ISSUE: D ID: 2.S.C. 2
 PROJECT: TAIT ORCA DESIGNER: BRD FILE NAME: 158803d FILE DATE: 7-Feb-00 NO.SHEETS: 7

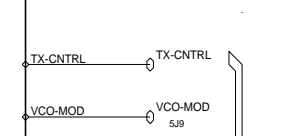




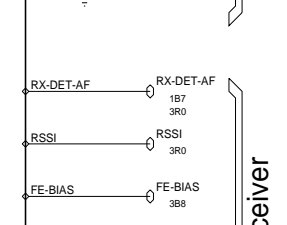
Supply Voltages



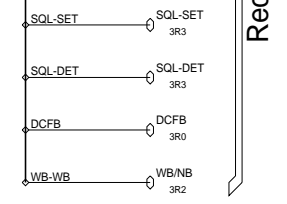
P.A.



Synthesiser & VCO



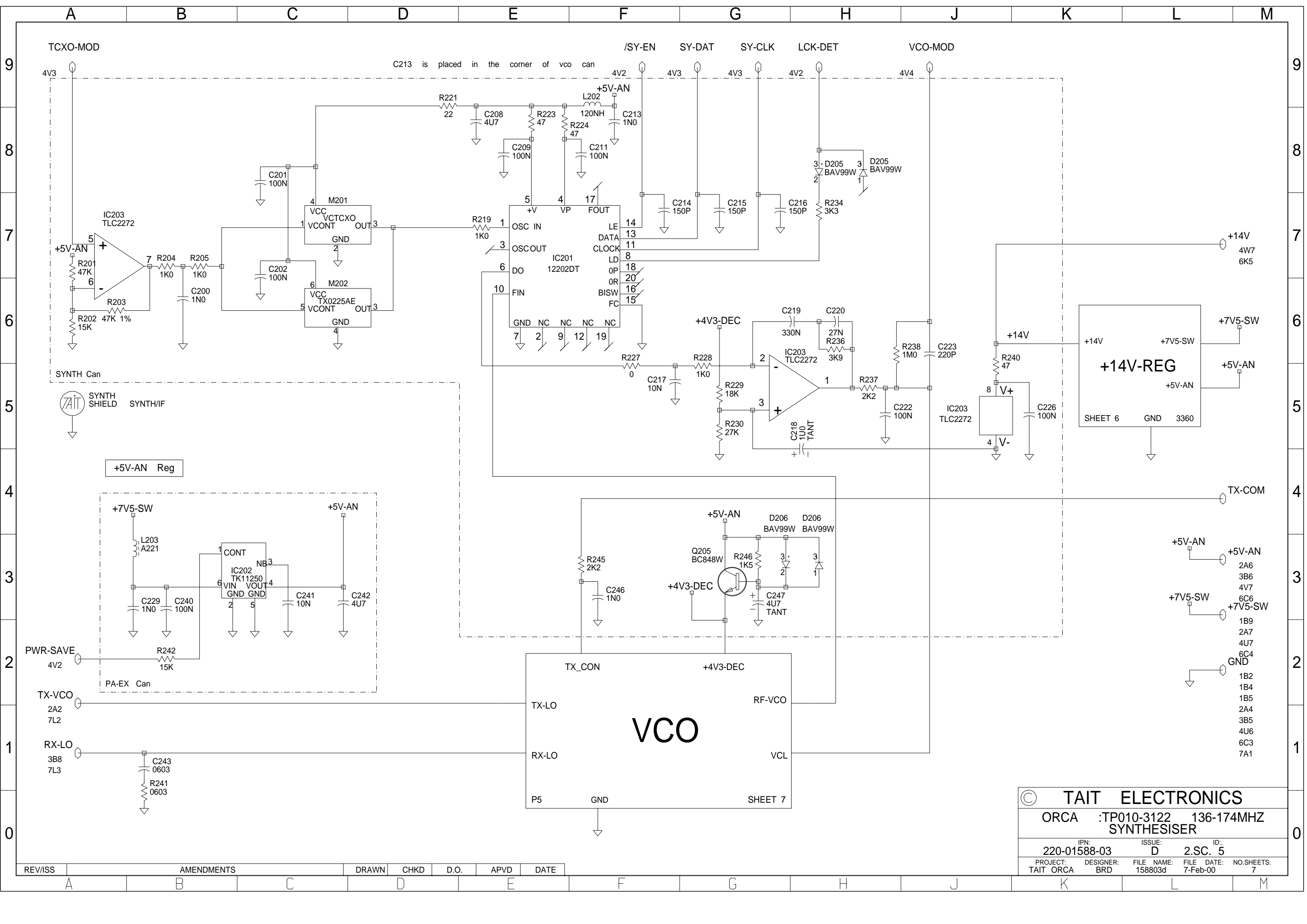
Receiver



Room to Rent

03A	CAD CHANGE	1588/001 & /002	BRD	CK	GR	GR	10/08/99
REV/ISS	AMENDMENTS		DRAWN	CHKD	D.O.	APVD	DATE

© TAIT ELECTRONICS
 ORCA :TP10-3122 136-174MHZ
 PROCESSOR
 220-01588-03 D 2-SC 4
 PRODUCT DESIGNER FILE NAME FILE DATE NO SHEETS
 TAIT ORCA BRD 1588/03 7-Feb-00 7



C213 is placed in the corner of vco can

VCO

SHEET 7

P5 GND

TX-LO TX-CON TX-VCO TX-COM

RX-LO

RF-VCO

VCL

+14V-REG

SHEET 6

GND 3360

+14V

+7V5-SW

+5V-AN

+5V-AN Reg

PA-EX Can

SHEET 6

CONT

IC202 TK11250

VIN VOUT

GND GND

NB 3

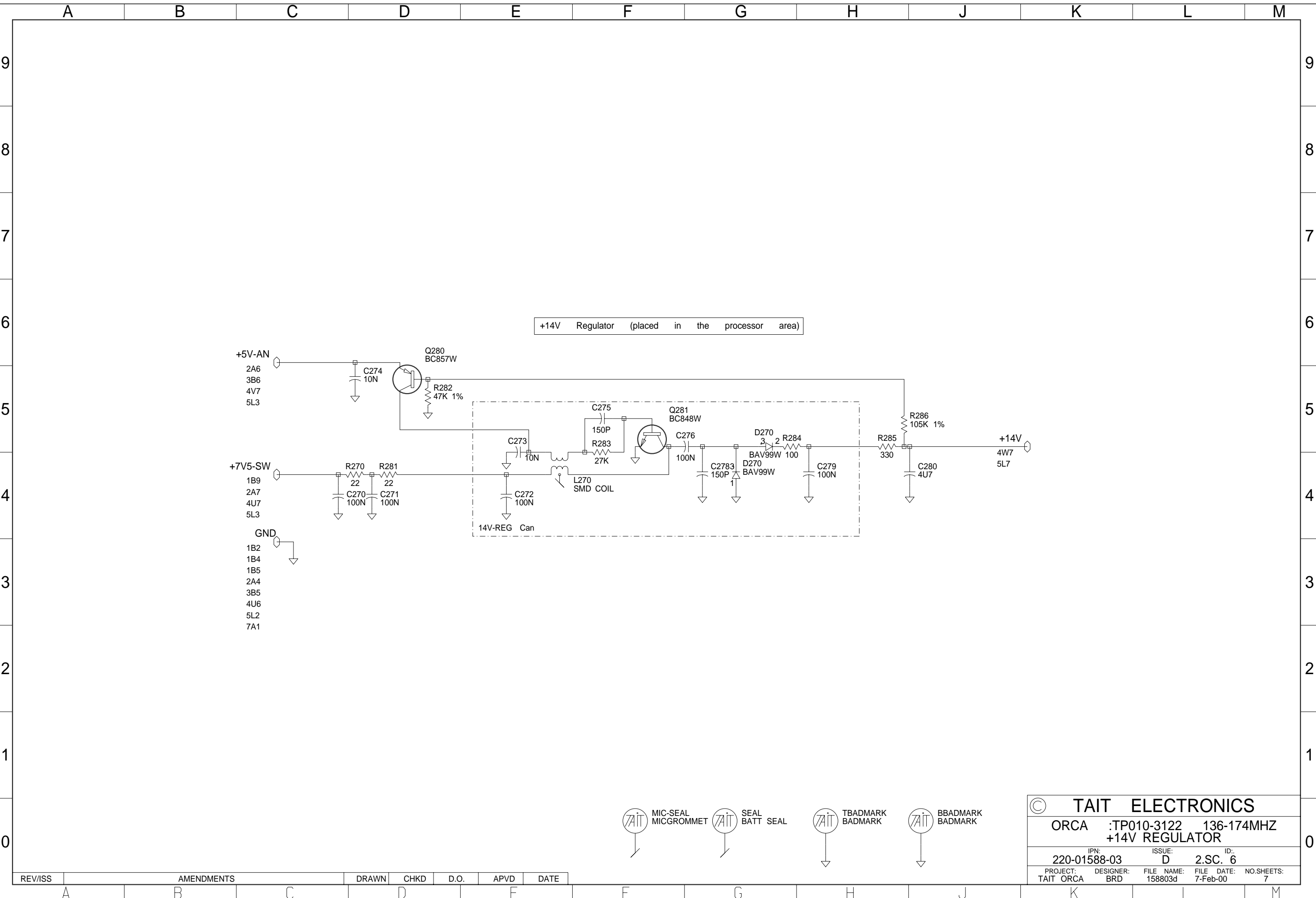
4 5

+7V5-SW

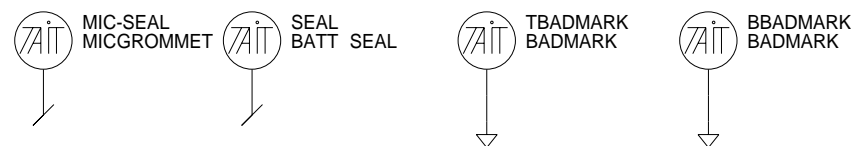
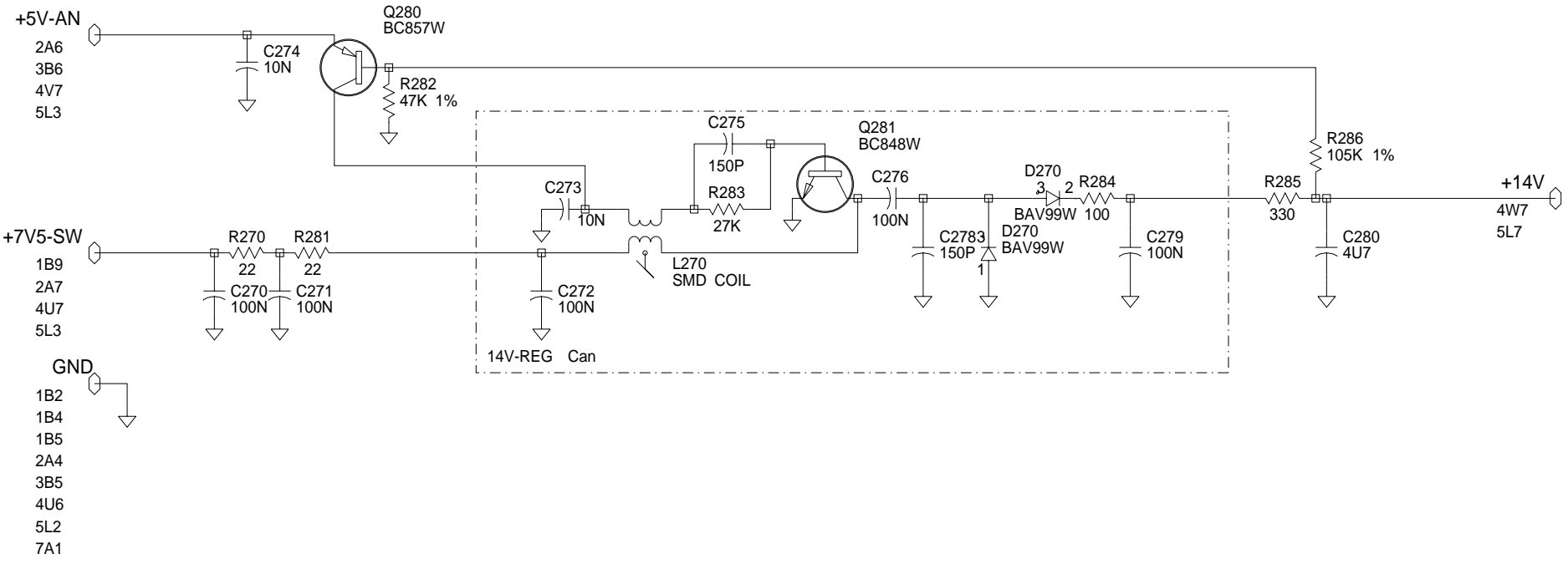
+5V-AN

© TAIT ELECTRONICS				
ORCA	:TP010-3122	136-174MHZ	SYNTHESISER	
IPN:	ISSUE:	ID:		
220-01588-03	D	2.SC. 5		
PROJECT:	DESIGNER:	FILE NAME:	FILE DATE:	NO.SHEETS:
TAIT ORCA	BRD	158803d	7-Feb-00	7

REV/ISS	AMENDMENTS	DRAWN	CHKD	D.O.	APVD	DATE
---------	------------	-------	------	------	------	------

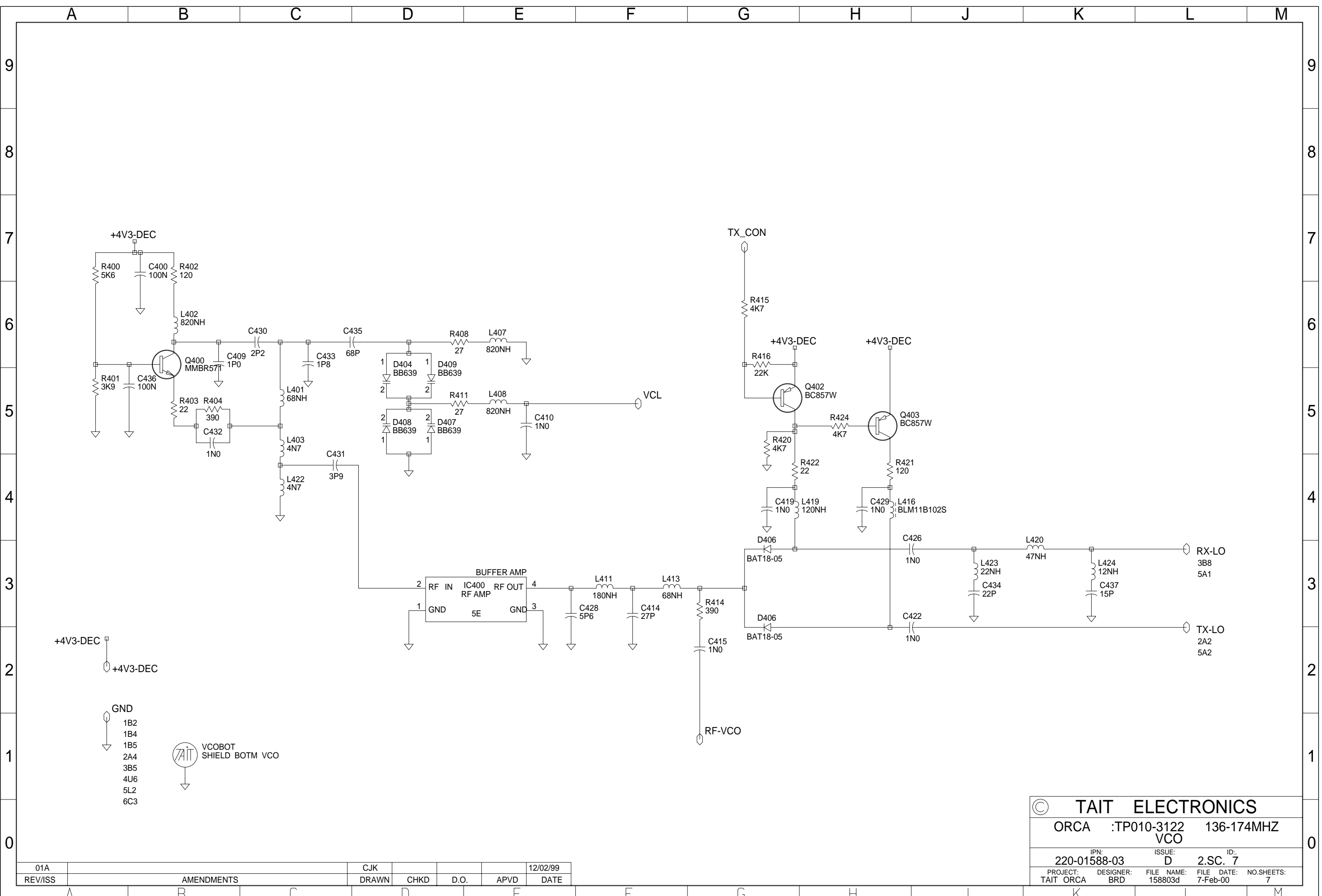


+14V Regulator (placed in the processor area)



© TAIT ELECTRONICS				
ORCA :TP010-3122		136-174MHZ		
+14V REGULATOR				
IPN:	ISSUE:	ID:		
220-01588-03	D	2.SC. 6		
PROJECT:	DESIGNER:	FILE NAME:	FILE DATE:	NO.SHEETS:
TAIT ORCA	BRD	158803d	7-Feb-00	7

REV/ISS	AMENDMENTS	DRAWN	CHKD	D.O.	APVD	DATE
---------	------------	-------	------	------	------	------



© TAIT ELECTRONICS
 ORCA :TP010-3122 136-174MHZ
 VCO
 IPN: 220-01588-03 ISSUE: D ID: 2.SC. 7
 PROJECT: TAIT ORCA DESIGNER: BRD FILE NAME: 158803d FILE DATE: 7-Feb-00 NO.SHEETS: 7

01A		CJK				12/02/99
REV/ISS	AMENDMENTS	DRAWN	CHKD	D.O.	APVD	DATE